

# SW SERIES SHORT WAVE

## SUBMITTAL DATA ELECTRIC INFRARED SPACE HEATERS

SUBMITTED BY: \_\_\_\_\_ DATE: \_\_\_\_\_

JOB TITLE: \_\_\_\_\_ CONTRACTOR: \_\_\_\_\_

ADDRESS: \_\_\_\_\_ PHONE #: \_\_\_\_\_

CITY: \_\_\_\_\_ ADDRESS: \_\_\_\_\_

STATE: \_\_\_\_\_ ZIP: \_\_\_\_\_ CITY: \_\_\_\_\_

STATE: \_\_\_\_\_ ZIP: \_\_\_\_\_

ENGINEER: \_\_\_\_\_ PHONE: \_\_\_\_\_

LOCAL REPRESENTATIVE: \_\_\_\_\_ PHONE: \_\_\_\_\_

NOTES: \_\_\_\_\_

Qty.	Model Number*		Tag	Lamp Qty.	Lamp Type* (select one)	Volts	Watts	BTU'S	Amps	Overall Unit Length	Ship Weight (Lbs.)
	Black Powder Coat Housing	Stainless Steel Housing									
	SW-24B1-A16#	SW-24S1-A16#		1	Clear or Ruby	120	1,600	5,459	13.3	24 in.	11.2
	SW-24B1-B16#	SW-24S1-B16#			Clear or Ruby	208			7.69		
	SW-24B1-C16#	SW-24S1-C16#			Clear or Ruby	240			6.67		
	SW-24B1-G16#	SW-24S1-G16#			Clear or Ruby	480			3.33		
	SW-33B1-B25#	SW-33S1-B25#		1	Clear or Ruby	208	2,500	8,530	12.02	33 in.	13.8
	SW-33B1-C25#	SW-33S1-C25#			Clear or Ruby	240			10.42		
	SW-33B1-G25#	SW-33S1-G25#			Clear or Ruby	480			5.21		
	SW-46B1-G36#	SW-46S1-G36#		1	Clear or Ruby	480	3,650	12,454	7.60	46 in.	17.5
	SW-46B1-H38#	SW-46S1-H38#			Clear or Ruby	575	3,800	12,966	6.61		
	SW-24B2-B16#	SW-24S2-B16#		2	Clear or Ruby	208	3,200	10,919	15.38	24 in.	15.7
	SW-24B2-C16#	SW-24S2-C16#			Clear or Ruby	240			13.33		
	SW-24B2-G16#	SW-24S2-G16#			Clear or Ruby	480			6.67		
	SW-33B2-B25#	SW-33S2-B25#		2	Clear or Ruby	208	5,000	17,061	24.04	33 in.	21.0
	SW-33B2-C25#	SW-33S2-C25#			Clear or Ruby	240			20.83		
	SW-33B2-G25#	SW-33S2-G25#			Clear or Ruby	480			10.42		
	SW-46B2-G36#	SW-46S2-G36#		2	Clear or Ruby	480	7,300	24,909	15.21	46 in.	24.5
	SW-46B2-H38#	SW-46S2-H38#			Clear or Ruby	575	7,600	25,932	13.22		
	SW-24B3-B16#	SW-24S3-B16#		3	Clear or Ruby	208	4,800	16,378	23.08	24 in.	19.8
	SW-24B3-C16#	SW-24S3-C16#			Clear or Ruby	240			20.00		
	SW-24B3-G16#	SW-24S3-G16#			Clear or Ruby	480			10.00		
	SW-33B3-G25#	SW-33S3-G25#			Clear or Ruby	480	7,500	24,909	15.63	33 in.	24.5
	SW-46B3-G36#	SW-46S3-G36#			Clear or Ruby	480	10,950	37,636	22.81	46 in.	31.5
	SW-46B3-H38#	SW-46S3-H38#			Clear or Ruby	575	11,400	38,898	19.83		

\* # Specify Lamp Type - [W] Clear or [R] Red.  
 White [W] = Standard 'White/Clear' Quartz Lamps.  
 Red [R] = Glare Reducing 'Red' Quartz Lamps.

DETROIT RADIANT PRODUCTS CO.

VISIT OUR WEBSITE FOR:



21400 Hoover Rd.  
 Warren, MI 48089-3162

Phone: (586) 756-0950  
 Fax: (586) 756-2626  
 Email: sales@drp-co.com  
 Website: www.reverberray.com

- Product Specs
- Parts Support
- Dealer Locator
- Applications
- C.A.D. Library
- Design Guidelines
- Theory of Infrared
- and More!



**Intertek**

## HEATER CONSTRUCTION (Choose)

- Black powder-coat aluminized steel housing.
- 304 brushed stainless steel housing for added durability and corrosion resistance.

## LAMP ELEMENTS

- Coiled tungsten filament housed within a sealed quartz tubing.
- Porcelain end caps w/ 6" wire pigtail leads.
- Instantaneous heat-up & cool-down.
- Clear quartz.
- Optional glare reduction ruby quartz.

## CONTROLS

- Field supplied.

## ELECTRICAL SUPPLY

- Voltages from 120 to 575 VAC.
- Single-phase or three-phase.
- 1,600 to 3,800W per element.

## MOUNTING

- 0° to 45° adjustable brackets.

## REFLECTORS

- Highly polished aluminum.
- Wide, symmetric design.

## APPROVALS

- ETL Listed for indoor and outdoor applications.
- Commercial/Industrial Approval.
- CSA 22.2 #46 - M1988.
- UL 2021, 1997.

## LIMITED WARRANTY

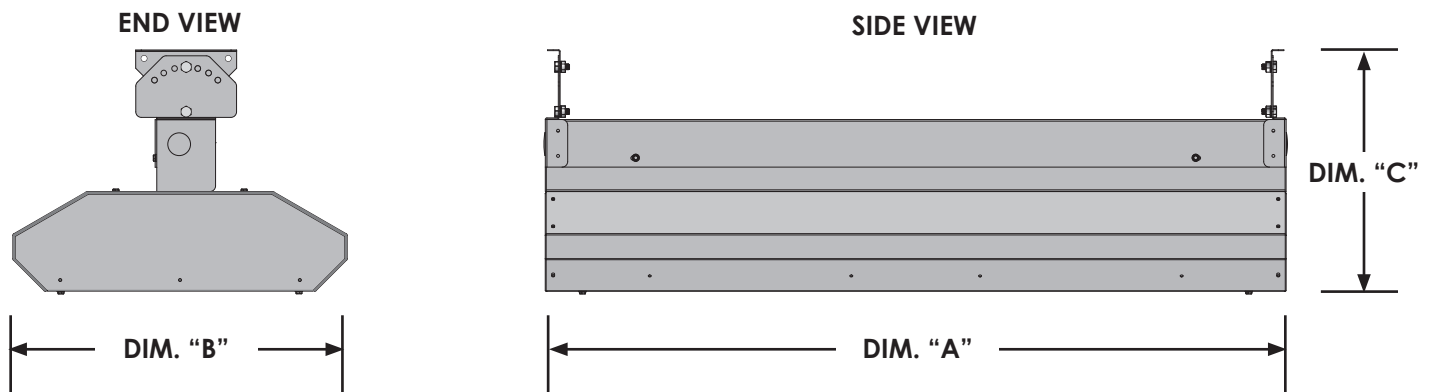
- All components - 1 year.
- Please contact the factory for further information on the terms and conditions.

## WWW.REVERBERRY.COM

- Product literature.
- Aftermarket parts support.
- Representative locator.
- C.A.D. design library.
- Troubleshooting guide.

# FIELD DATA

## DIMENSIONAL INFORMATION



MODEL NUMBER	LAMP QTY.	DIM A INCHES (MM)	DIM B INCHES (MM)	DIM C INCHES (MM)
<b>SW-24</b>	1	24.00 (610)	9.25 (235)	10.75 (273)
	2		15.00 (381)	
	3		20.75 (527)	
<b>SW-33</b>	1	33.00 (838)	9.25 (235)	10.75 (273)
	2		15.00 (381)	
	3		20.75 (527)	
<b>SW-46</b>	1	46.00 (1169)	9.25 (235)	10.75 (273)
	2		15.00 (381)	
	3		20.75 (527)	

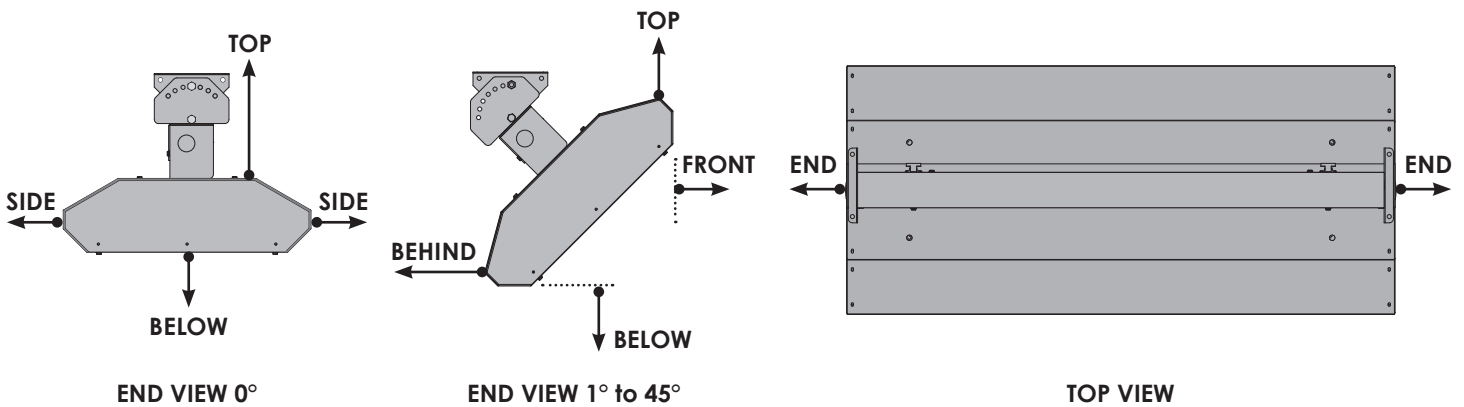
# OPTIONAL ACCESSORIES

QTY.	PART NO.	DESCRIPTION	NOTES

# CLEARANCES TO COMBUSTIBLES (IN.)

MODEL NO.	LAMP QTY.	VOLTS	WATTS	BTU/H	MOUNTING ANGLE	SIDE			TOP	BELOW
						FRONT	BEHIND*	END		
SW-24	1	120	1,600	5,459	0°	24	24	24	6	40
		208			1°-45°	40	24	24	10	40
		240				40	24	24	10	40
	2	208	3,200	10,919	0°	24	24	24	6	56
		240			1°-45°	56	24	24	10	56
		480				56	24	24	10	56
	3	208	4,800	16,378	0°	24	24	24	6	72
		240			1°-45°	74	24	24	10	72
		480				74	24	24	10	72
SW-33	1	208	2,500	8,530	0°	24	24	24	6	46
		240			1°-45°	46	24	24	10	46
		480				46	24	24	10	46
	2	208	5,000	17,065	0°	24	24	24	6	72
		240			1°-45°	72	24	24	10	72
		480				72	24	24	10	72
	3	480	7,500	24,909	0°	24	24	24	6	84
		480			1°-45°	84	24	24	10	84
	SW-46	1	480	3,650	12,454	0°	24	24	24	6
480			1°-45°			62	24	24	10	62
575			3,800	12,978	0°	24	24	24	6	62
575					1°-45°	62	24	24	10	62
2		480	7,300	24,909	0°	24	24	24	6	84
		480			1°-45°	84	24	24	10	84
		575	7,600	25,955	0°	24	24	24	6	84
		575			1°-45°	84	24	24	10	84
3		480	10,950	37,636	0°	24	24	24	6	96
		480			1°-45°	96	24	24	10	96
		575	11,400	38,933	0°	24	24	24	6	96
		575			1°-45°	96	24	24	10	96

\*The BEHIND clearance must maintain a minimum of 36 inches from another heater.



# WRITTEN SPECIFICATIONS

## HEATER PARAMETER/SPECIFICATIONS

- Short wave electric infrared heaters shall be furnished and installed in accordance with governing codes and as shown per drawing(s) provided. Short wave electric heaters shall be **RE-VERBER-RAY SW SERIES**, as manufactured by Detroit Radiant Products Company, Warren, MI 48089.
- Short wave infrared heaters shall be Designed Certified by ETL and bear the ETL Seal of Certification for the United States and Canada.
- The supplier shall provide manufacturer's published warranty covering all components utilized in the heater control assembly for a period of one (1) year.
- The supplier shall furnish the owner/contractor with \_\_\_\_ copies of the engineering specification form, showing physical dimensions, installation detail, recommendations, wiring diagrams, and spare parts list.
- An Installation, Operation, Maintenance and Parts Manual (IOPM) shall be supplied with each heater.
- The manufacturer shall have a minimum of 50 years of manufacturing experience producing infrared heaters.
- Short wave infrared heaters must be ETL Listed to operate at the designated rating of \_\_\_\_\_kW/h.
- Electric short wave infrared space heaters shall be supplied and installed in accordance with the manufacturers certified installation instructions and governing codes, as shown per building drawing(s) \_\_\_\_\_. Heaters shall be SW Series, model numbers, input ranges in Watts.

## SW SERIES HEATER CONTROLS

- Field supply applicable controls.
- Heaters shall operate in given voltages:

<u>Volt</u>	<u>Phase</u>	<u>Hertz</u>
120V	1ph	50/60
208V	1ph or 3ph	50/60
240V	1ph or 3ph	50/60
480V	1ph or 3ph	50/60
575V	1ph or 3ph	50/60

- Heaters shall operate in given wattage inputs of 1,600 to 11,400.

## SHORT WAVE INFRARED HEATER CONSTRUCTION

- The heater housing shall be constructed of either black powder-coated aluminized steel or 304 brushed stainless steel.
- The heater reflector shall be constructed of highly polished aluminum with a multi-faceted design.
- The emitter tubing shall be argon filled evacuated blown quartz with high temperature ceramic end caps.
- The quartz tubing shall be opaque in color allowing maximum radiant heat transfer, or have a ruby red sleeve for reduced glare while still allowing maximum radiant heat transfer.
- The optional protective grill be bright zinc coated.
- Optional factory supplied mounting brackets shall accommodate for sidewall or ceiling mounting.